

# Jupiter Multi-Point Air Rod

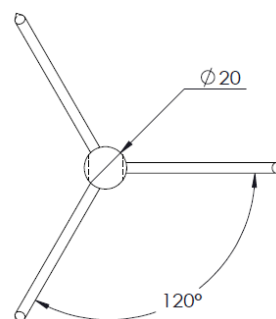
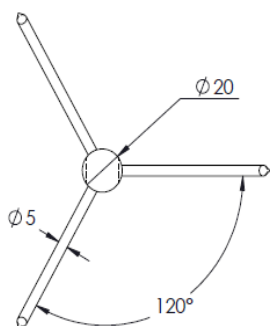
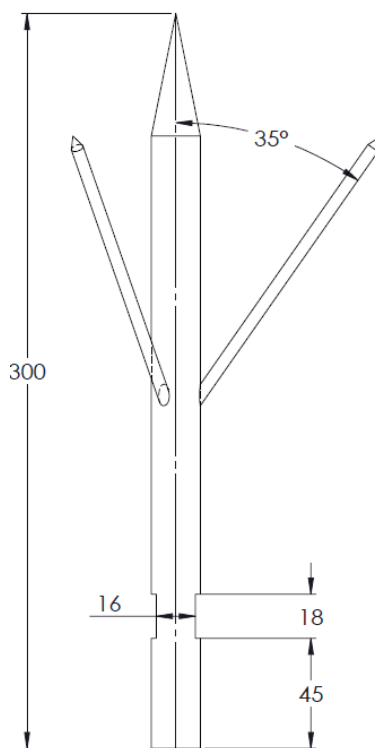
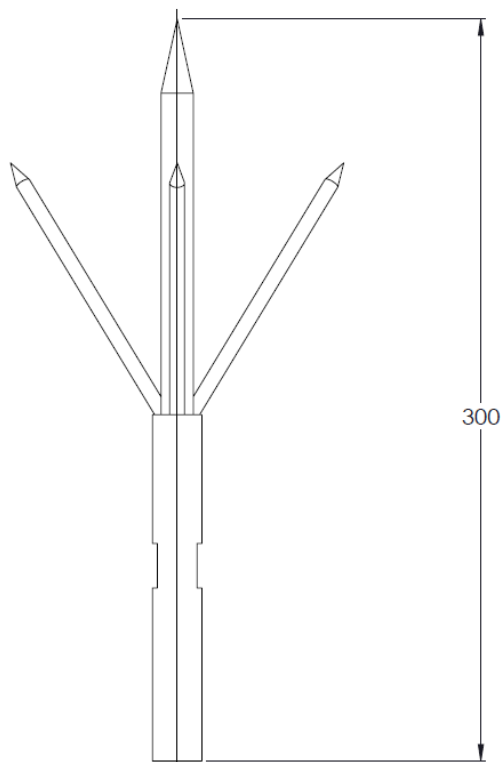
Characteristics	P1052B	P1053C
Material	Chromium plated copper	Stainless steel
Weight (kg)	0.600	0.700
Connection	Thread M20	
Standards	EN 62561-2	



P1052B

P1053C

## Dimensions (mm)



DOC151a.VEN-Rev0

