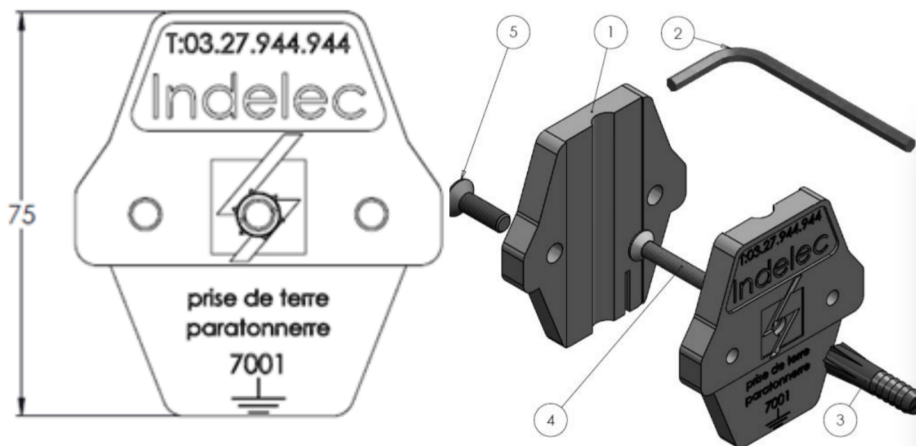


Test Clamp

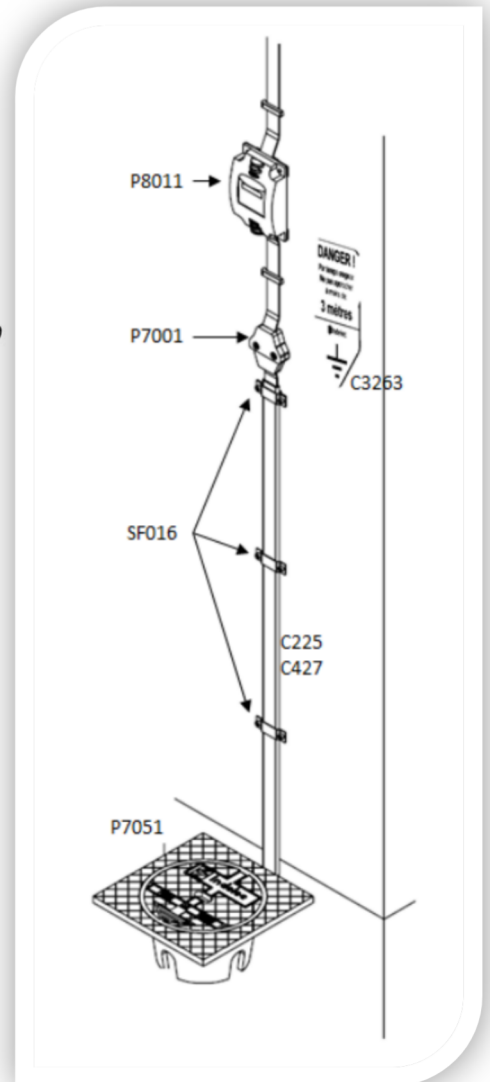
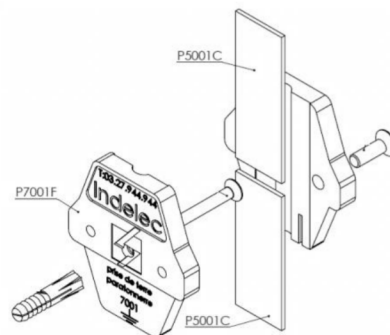
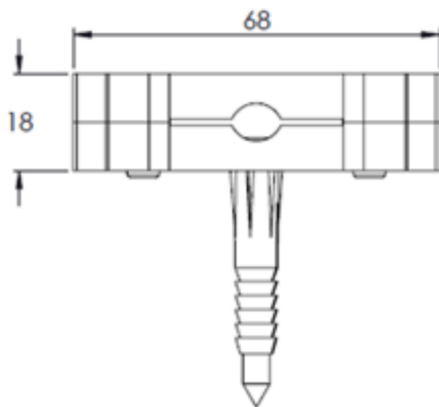
Characteristics	P7001F
Matter	Stamped brass
Weight (kg)	0.535
Application	allows the down conductor to be disconnected from the earthing point so that the earth resistance may be measured
Standard	EN 62561-1



Dimensions (mm)



No. ARTICLE	DESCRIPTION	QTE
1	Joint de contrôle laiton nickelé	1
2	Clé BTR 4mm	1
3	CHEVILLE Polyet. 8X35 - Verte	1
4	Vis Inox Pozl fraisée 5x50	1
5	Vis CHC M6 fraisée	2



Application

DOC214a_VEN-Rev0

