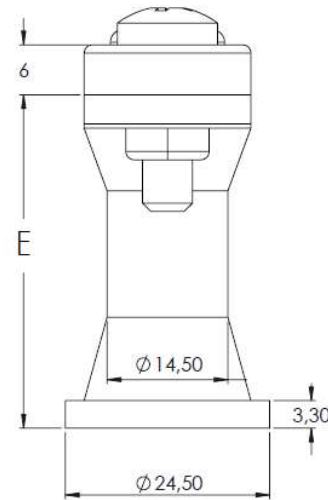
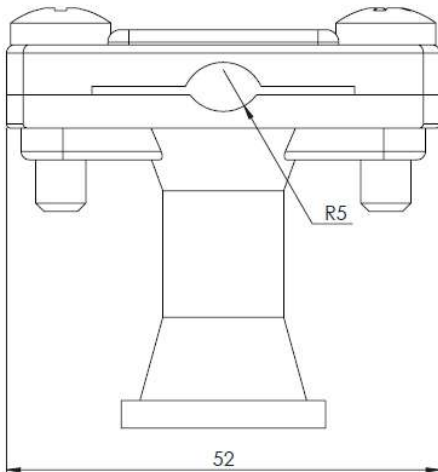
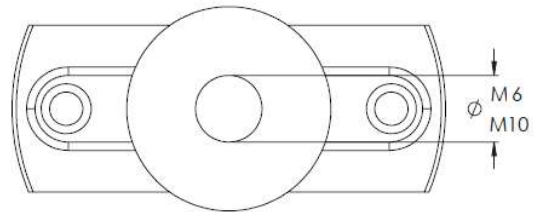


Non Metallic DC Tape Clip

Characteristics	P6071	P6171	P6271
Material	PVC		
Weight (kg)	0.020	0.025	0.030
Application	Used to fix a flat conductor and provide insulation from the support.		
Offset (mm)	15	40	60
Fixing	To be screwed in place or held by a screw-in bracket (M6 - ref P6071) or M10 (ref P6171 & 6271)		
Standard	EN 62561-4		



Dimensions (mm)



DOC202a-VEN-Rev0

